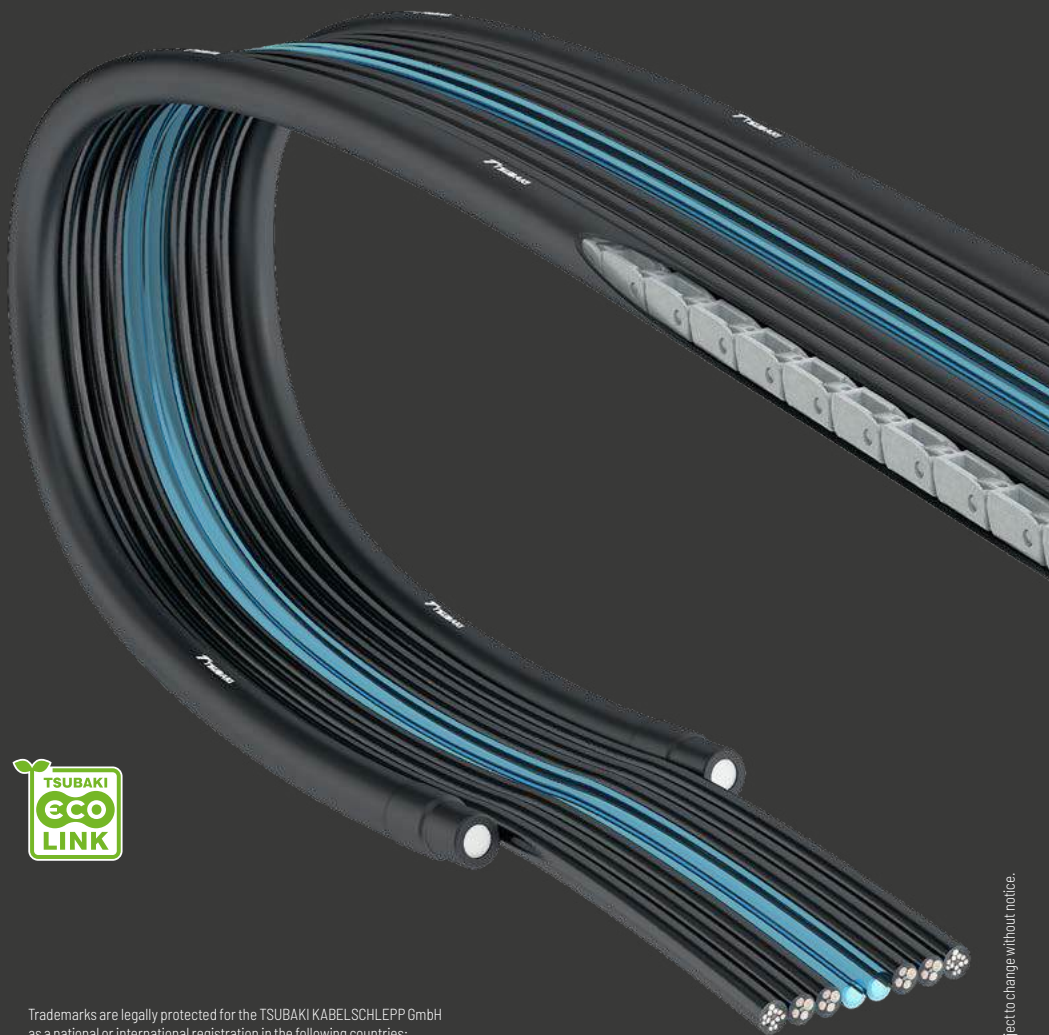


FLATVEYOR®

Cable management system solution for
cleanroom applications



Trademarks are legally protected for the TSUBAKI KABELSCHLEPP GmbH
as a national or international registration in the following countries:
tsubaki-kabelschlepp.com/trademarks

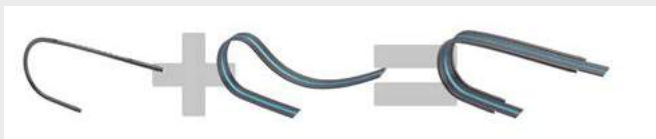
Subject to change without notice.



- 1** Flexibility PVC cables from our lineup, based on your specifications
- 2** Polyurethane air tubes, based on your specifications
- 3** Stopper for support members
- 4** Support members on both sides for a free-standing guiding
- 5** Covered tube for support members

Features

- » No friction occurs: Cleanroom IPA ISO Class 2 certified
- » Solve particle issues generated from the friction of cable carriers and cables
- » Usable with long travel strokes
- » Easy to make a clean for maintenance
- » Minimizes bouncing
- » Quiet
- » Compact & lightweight
- » High speed operation
- » Line up cables with excellent flexibility and elasticity



FLATVEYOR® is a free-standing flat cable system with internal support members to keep straight movement with high speed, high acceleration.

FLATVEYOR®

FLATVEYOR® is a free-standing flat cable guiding system that makes full use of our cable carrier technology and experience.

From pharmaceutical industry through medical technology to high-tech industry - all of them require an especially low-particle environment and "technical cleanliness" for their production processes. FLATVEYOR® can support to reduce the downtime and improve your productivity.

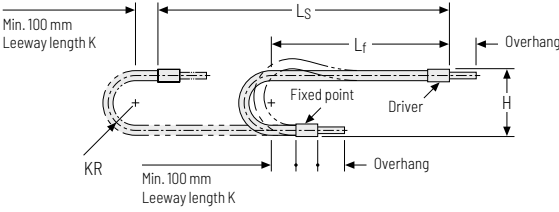
FLATVEYOR® is a free-standing flat cable system with internal support members to keep straight movement with a high speed.

No hopping, No sagging, No falling over sideways!

The support members act as reliable guides which can be moved in one direction along the intended minimum bending radius, whereby the cables and tubes are guided reliably.



Unsupported arrangement



KR [mm]	H [mm]	Travel length* ≤ [mm]
40	103-123	1600
70	213-233	2200
100	273-293	2800
130	333-353	2800

* with an additional load of 0.4 kg/m



Speed
up to 2 m/s



Acceleration
up to 4 m/s²

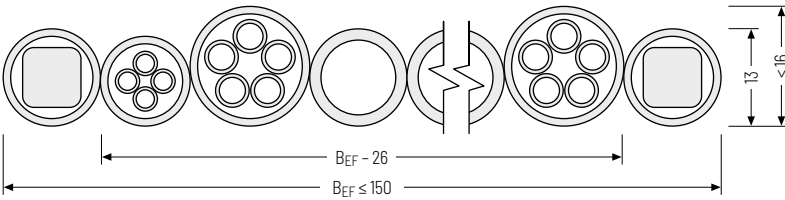


Temperature range
-10 to 80 °C



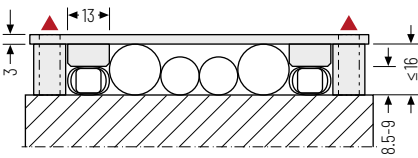
Cable-Ø
up to 16 mm

Dimensions

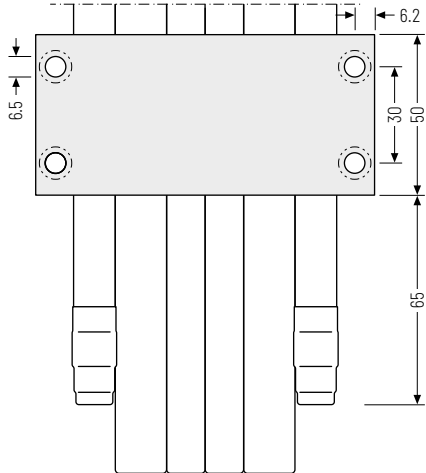


Connection clamps - aluminum

The aluminum clamps can be connected **from above or below**.



▲ Assembly options



MT series
XLT series
ROBOTRAX® System
FLATVEYOR®
CLEANVEYOR®
LS/LSX series
S/SX series
S/SX-Tubes series
Accessories
TRAXLINE®