

Steel band covers

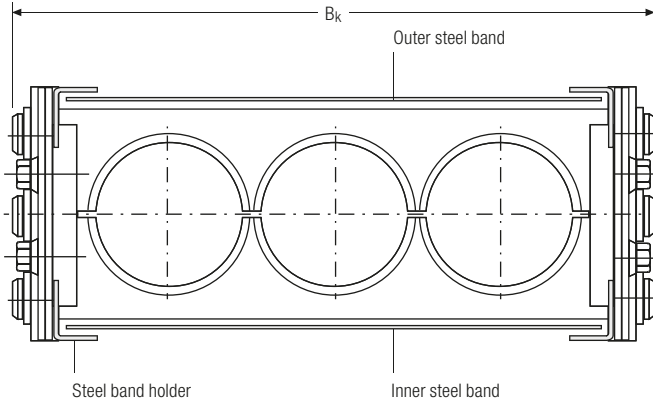
Continuous, cost-effective protection against chips and other external influences



Steel band covers

To protect the cables against flying sparks, radiated heat and small chips, steel band covers made from corrosion-resistant and acid-resistant spring steel band are available.

- Cost-effective cover variant for half-stayed version
- Maximum steel band width: 1000 mm



Guiding of the steel band:

with steel band holders on the inside of the side band

Fastening of the steel band:

Inside: with steel band holders on the end connectors

Outside: with the fastening screws of the end connectors

Dimensions table

Type	Steel band length [mm]		Steel band width [mm]
	Outer steel band	Inner steel band	
S/SX 0650	$L_k + 280$	$L_k + 130$	$B_k - 22$
S/SX 0950	$L_k + 360$	$L_k + 150$	$B_k - 27$
S/SX 1250	$L_k + 470$	$L_k + 170$	$B_k - 34$
S/SX 1800	$L_k + 640$	$L_k + 200$	$B_k - 40$
S/SX 2500	$L_k + 945$	$L_k + 255$	$B_k - 46$

Steel band covers for the other types on request!



Steel band holder on the sidebands.



Fastening on the cable carrier connection with special end connector.

