

Steel band covers

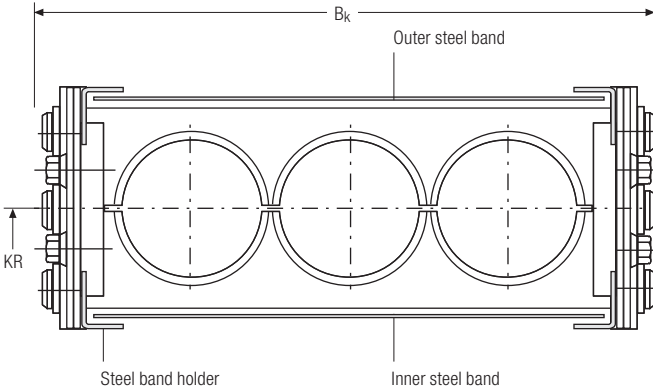
Continuous, cost-effective protection against chips and other external influences



Steel band covers

To protect the cables against flying sparks, radiated heat and small chips, steel band covers made from corrosion-resistant and acid-resistant spring band steel are available.

- Cost-effective cover variant for **half-stayed** version
- Maximum steel band width: 1000 mm



Guiding of the steel band:

with steel band holders on the inside of the side band

Fastening of the steel band:

Inside: with steel band holders on the end connectors

Outside: with the fastening screws of the end connectors

Dimensions table

| Type | Steel band length [mm] | | Steel band width [mm] |
|-----------|------------------------|------------------|-----------------------|
| | Outer steel band | Inner steel band | |
| S/SX 0650 | $L_k + 280$ | $L_k + 130$ | $B_k - 22$ |
| S/SX 0950 | $L_k + 360$ | $L_k + 150$ | $B_k - 27$ |
| S/SX 1250 | $L_k + 470$ | $L_k + 170$ | $B_k - 34$ |
| S/SX 1800 | $L_k + 640$ | $L_k + 200$ | $B_k - 40$ |
| S/SX 2500 | $L_k + 945$ | $L_k + 255$ | $B_k - 46$ |

Steel band covers for the other types on request!



Steel band holder on the sidebands.



Fastening on the cable carrier connection with special end connector.

