

Support rollers

Ball-bearing rollers
for long service life



Trademarks are legally protected for TSUBAKI KABELSCHLEPP GmbH
as a national or international registration in the following countries:
[tsubaki-kabelschlepp.com/trademarks](https://www.tsubaki-kabelschlepp.com/trademarks)

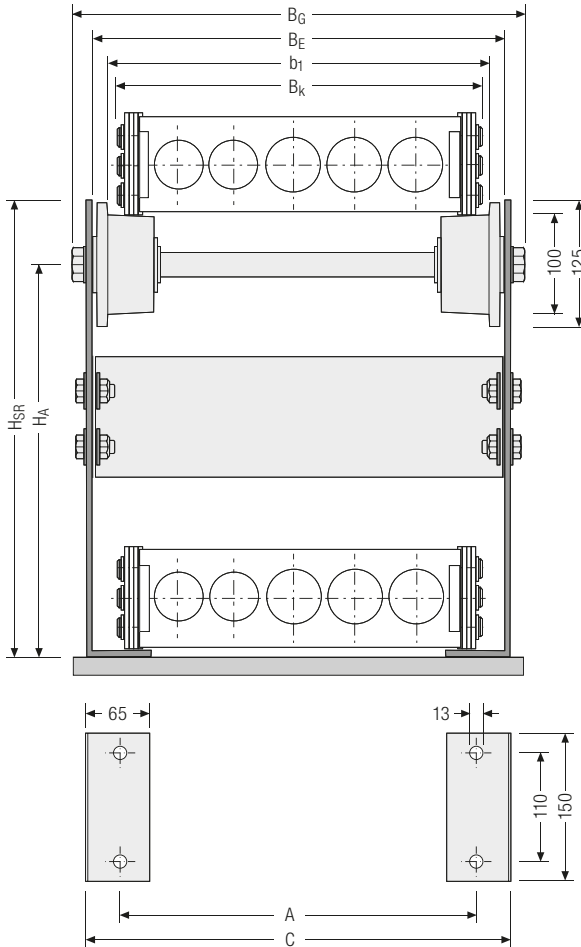
Subject to change.

Support rollers “Basic”

Support rollers are designed to support the upper run of the cable carrier when the maximum unsupported length is exceeded.

KABELSCHLEPP® support rollers are available for the types LS/LSX 1050, S/SX 0650, S/SX 0950, S/SX 1250 and S/SX 1800.

- Cost-effective support rollers in lightweight design
- Long service life thanks to ball bearing rollers
- Optimized installation width
- Only to be used for two-band carriers



Dimension table for standard support rollers

B_E [mm]	B_G [mm]	b_1 [mm]	H_{SR} [mm]	H_A [mm]	A [mm]	C [mm]
$B_k + 52$	$B_k + 90$	$B_k + 20$	$2 KR + 15$	$2 KR - 15$	$B_k - 10$	$B_k + 60$

Support rollers

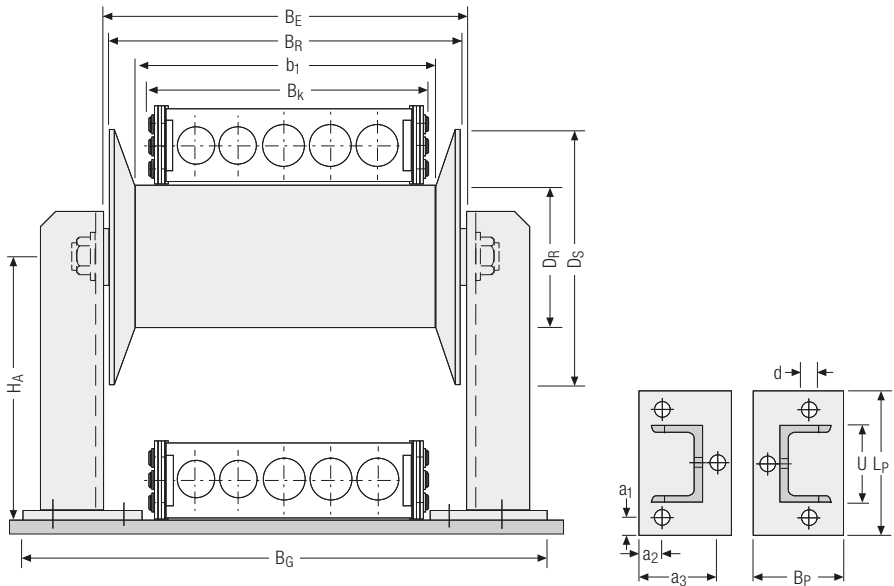
Support rollers are designed to support the upper run of the cable carrier when the maximum unsupported length is exceeded. KABELSCHLEPP® reinforced support rollers are available for the types LS/SX 1050, S/SX 0650, S/SX 0950, S/SX 1250 and S/SX 1800.

- Solid design for extreme strain
- Long service life thanks to ball bearing rollers
- With hard manganese steel wear protection for type S and applications with high strain
- Also available in stainless steel
- Also suitable for multi-band cable carriers

Key for abbreviations on page 12

Design guidelines from page 38

Technical support: technik@kabelschlepp.de



Dimension table for reinforced support rollers

Type	D_R [mm]	b_1 [mm]	B_R [mm]	B_E [mm]	B_G [mm]	D_S [mm]
LS/SX 1050	120	$B_K + 20$	$B_K + 50$	$B_K + 64$	$B_K + 174$	$\varnothing 200$
S/SX 0650	90	$B_K + 15$	$B_K + 45$	$B_K + 59$	$B_K + 169$	$\varnothing 170$
S/SX 0950, S/SX 1250, S/SX 1800	120	$B_K + 20$	$B_K + 50$	$B_K + 64$	$B_K + 174$	$\varnothing 200$
S/SX 2500	220	$B_K + 30$	$B_K + 60$	$B_K + 74$	$B_K + 184$	$\varnothing 300$

 Diameter of support roller $D_R = 114$ mm, for standard stainless steel version. The axis height H_A has to be adapted accordingly.

Dimension table for support stands

Type	H_A [mm]	B_p [mm]	L_p [mm]	U [mm]	a_1 [mm]	a_2 [mm]	a_3 [mm]	d [mm]	s [mm]
LS/SX 1050	2 KR - 60	100	180	80	20	20	80	$\varnothing 18$	8
S/SX 0650	2 KR - 45	80	180	80	20	40	-	$\varnothing 14$	8
S/SX 0950, S/SX 1250, S/SX 1800	2 KR - 60	100	180	80	20	20	80	$\varnothing 18$	8
S/SX 2500	2 KR - 110	100	180	80	20	20	80	$\varnothing 18$	8



subject to change.

Support
rollers

tsubaki-kabelschlepp.com/
support-rollers